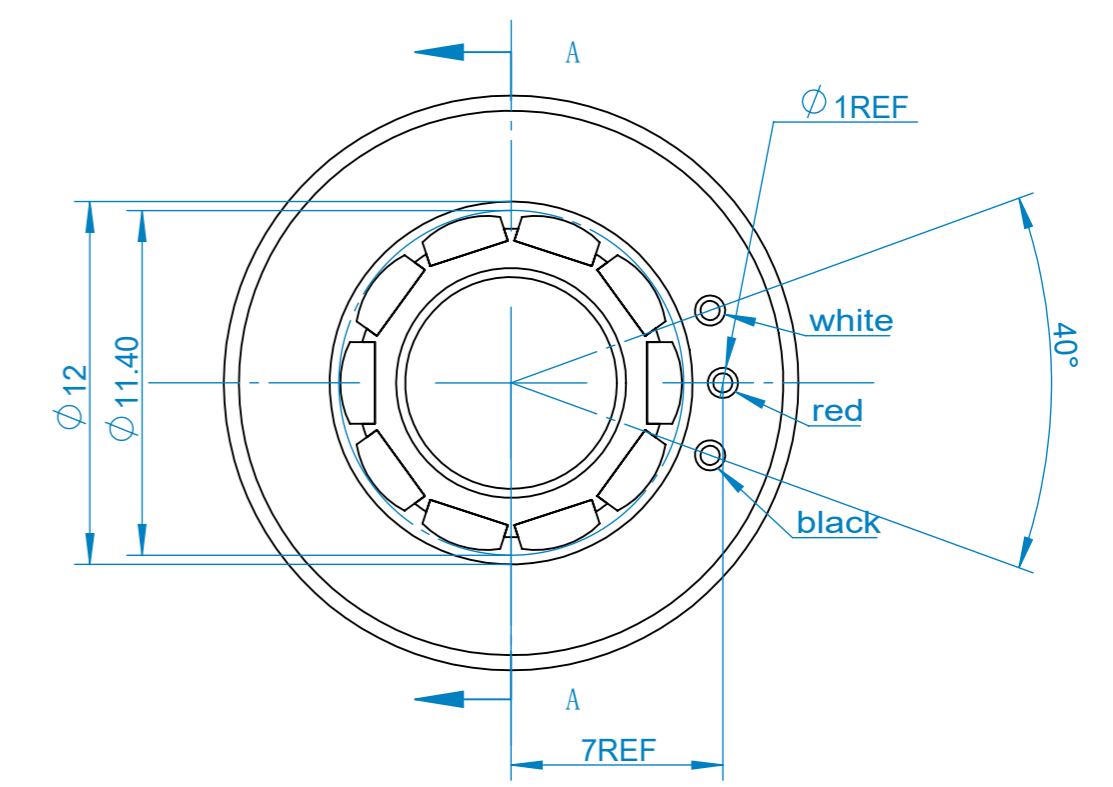
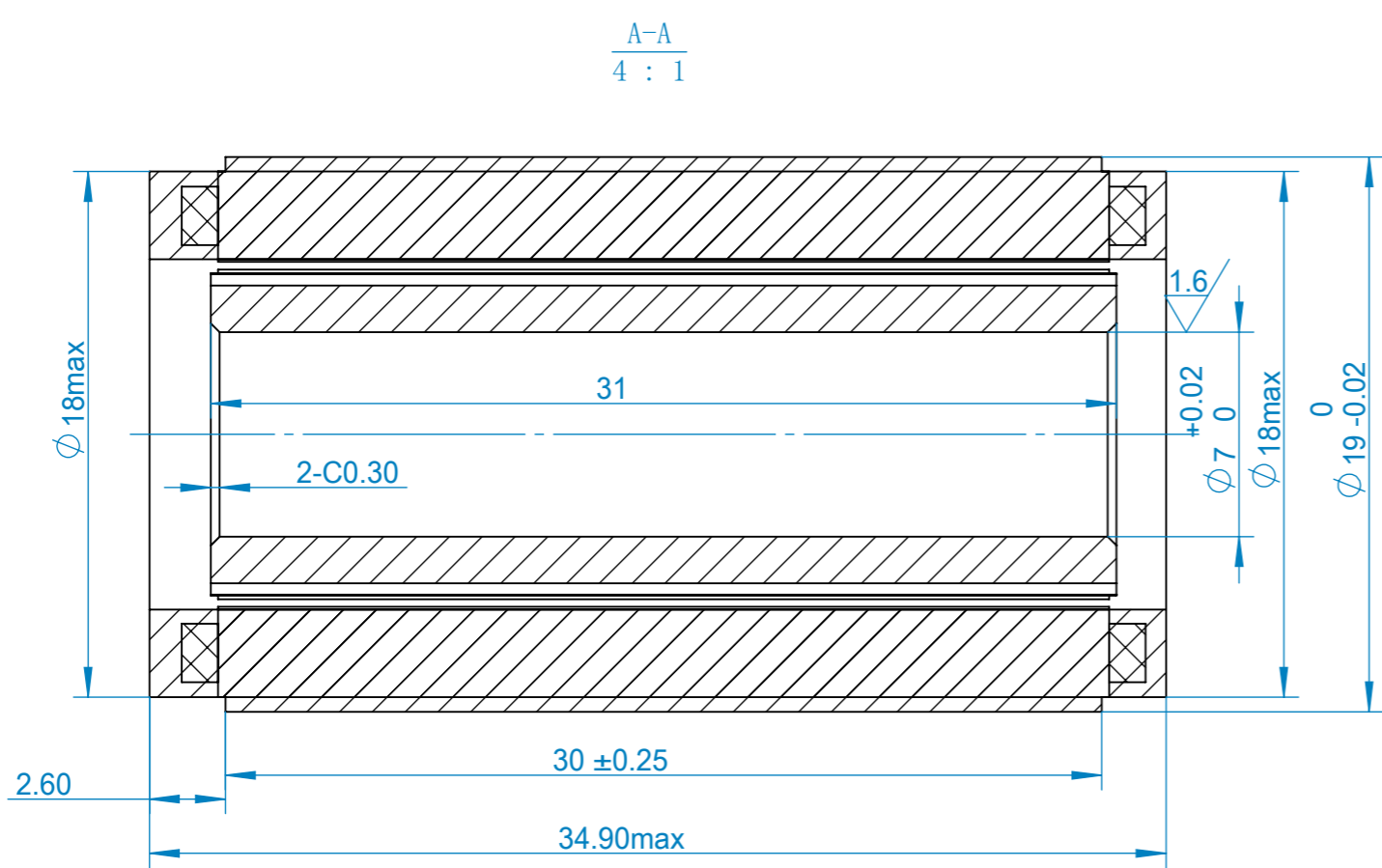
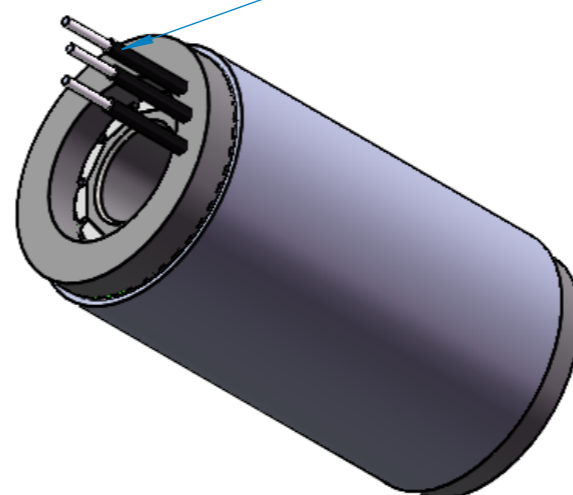


MARK	CHANGES	DESCRIPTION OF CHANGE	VERSION	SIGNATURE	DATE



Wire: #26AWG, Red: U, Black: V, White: W, length: 300mm.



Motor parameters	
Model	U1934
Voltage	24V DC
Rated output (W)	16.77
Rated torque (Nm)	0.04
Instant max torque (Nm)	0.110
Rated current (Arms)	2.50
Instant max current (Arms)	7.5
Rated speed (Rpm)	4000
Max speed (Rpm)	6000
Torque parameters (Nm/Arms)	0.02
Rotor inertia (10 <sup>-4</sup> kg.m <sup>2</sup> )	0.010
Back EMF coefficient(V/krpm)	2.40
Coil resistance (Ω)	1.8
Phase inductance (mH)	0.38
Number of pole-pairs (2P)	5

Unmarked linear size tolerances and angles reference table					
Basic size	Selection level				Angle
	A	B	C	D	
<5	±0.02	±0.03	±0.05		0° ~ 30° ±0.1°
>5 ~ 20	±0.03	±0.05	±0.1		31° ~ 60° ±0.3°
>20 ~ 50	±0.05	±0.1	±0.15		61° ~ 90° ±0.5°
>50 ~ 100	±0.1	±0.15	±0.2		
>100	±0.1%	±0.15%	±0.2%		

Part No	U1934	Description	1934Motor		
Material		Image size	Quantity	Scale	
		A3	1	2:1	
Version		Page 1 of 1			
Design	Daigengzhi	MOSRAC			
Review					
Approval					