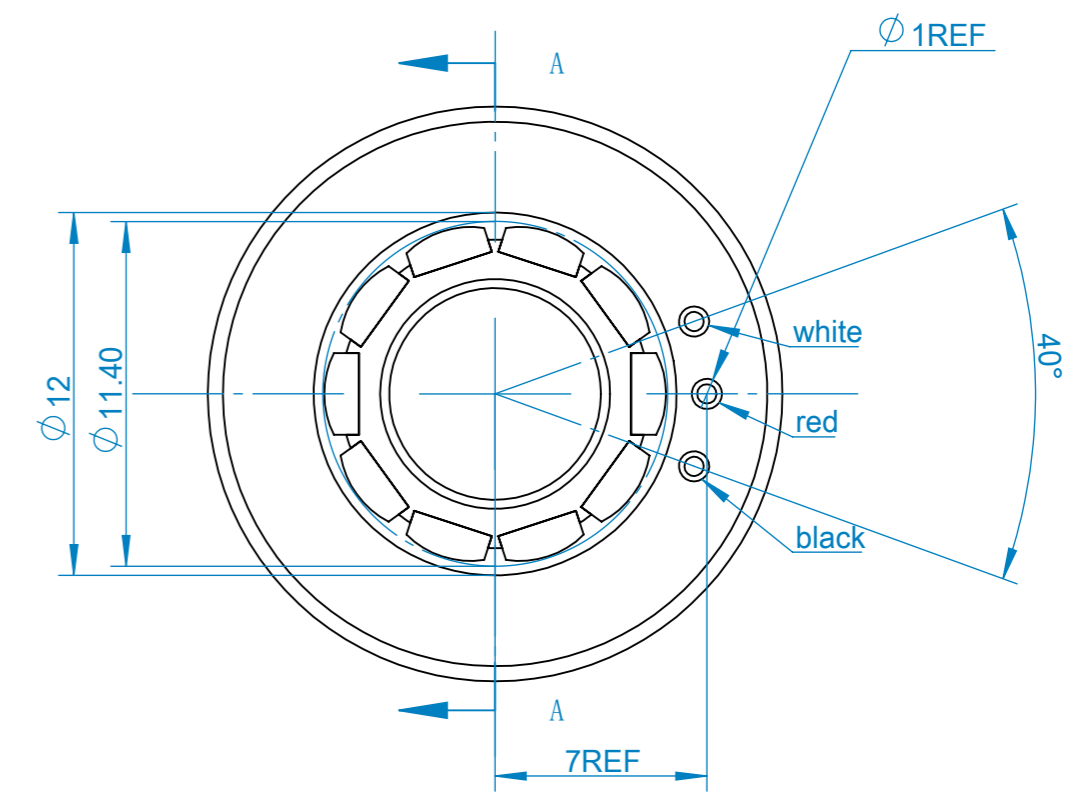
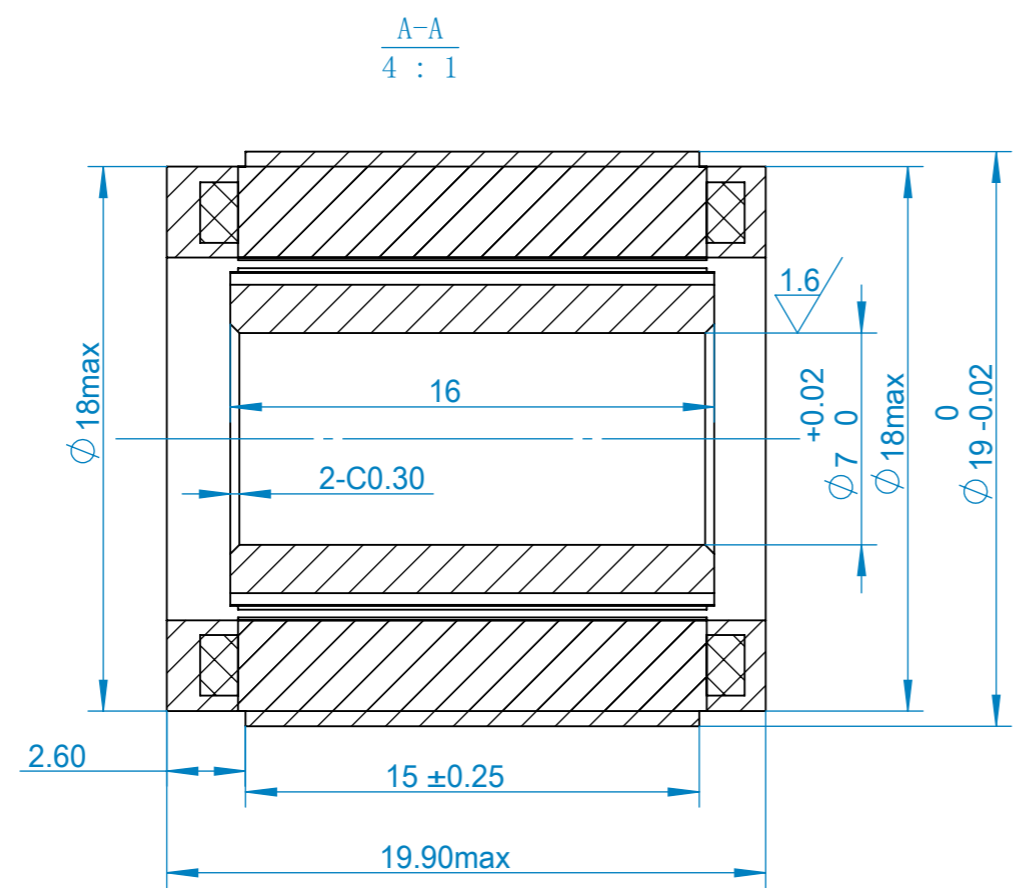
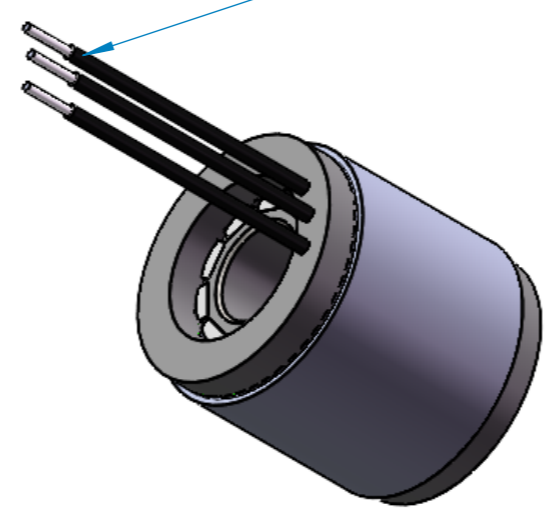


MARK	CHANGES	DESCRIPTION OF CHANGE	VERSION	SIGNATURE	DATE



Wire: #26AWG, Red: U, Black: V, White: W, length: 300mm.



Motor parameters	
Model	U1919
Voltage	24V DC
Rated output (W)	12.58
Rated torque (Nm)	0.02
Instant max torque (Nm)	0.050
Rated current (Arms)	2.00
Instant max current (Arms)	5.5
Rated speed (Rpm)	6000
Max speed (Rpm)	8000
Torque parameters (Nm/Arms)	0.01
Rotor inertia (10 <sup>-4</sup> kg.m <sup>2</sup> )	0.005
Back EMF coefficient(V/krpm)	1.50
Coil resistance (Ω)	1.9
Phase inductance (mH)	0.4
Number of pole-pairs (2P)	5

Unmarked linear size tolerances and angles reference table					
Basic size	Selection level				Angle
	A	B	C	D	
<5	±0.02	±0.03	±0.05		0°~30° ±0.1°
>5~20	±0.03	±0.05	±0.1		31°~60° ±0.3°
>20~50	±0.05	±0.1	±0.15		61°~90° ±0.5°
>50~100	±0.1	±0.15	±0.2		
>100	±0.1%	±0.15%	±0.2%		

Part No.	U1919	Description	1919Motor		
Material		Image size	Quantity	Scale	
		A3	1	2:1	
Version		Page 1 of 1			
Design	Daigengzhi	MOSRAC			
Review					
Approval					